



Product Data Sheet EPBAD48

Power Distribution Block, Enclosed

200 Amps 600 Volts AC/DC

Wire Range

- Line: (1) 3/0 - #14 AWG (70 mm² - 2.5 mm²)
- Load: (2) #2 - #14 AWG (25 mm² - 2.5 mm²)
(6) #6-14 AWG (16 mm² - 2.5 mm²)

Electrical Ratings

- 200 Amps
- 600V per UL 1059 & CSA 22.2 No.158, class B & C requirements
- Short circuit current ratings (SCCR): See SCCR section below for specifications.
- CU7AL - 75°C connector terminal rating with copper or aluminum wire
- Touch protection: IP-20 (IEC 60529)
- Factory & Field Wiring

Agency Compliance

- UL Listed, Investigated to UL 1953, File QPQS.E309401
- CSA - certified to C22.2 No. 158, File No. LR19766 (wire classes B & C only)
- CE compliant to IEC 60947-7-1 (Pending)

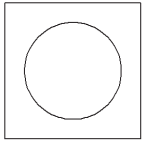
Material Information

- Insulator base:
 - Thermoplastic
 - Flammability rating of insulator base UL94V0
 - Insulator base temperature rating: -40°C to 125°C (UL RTI)
- Connector: plated aluminum
- Terminal set screws: plated steel
- Connector mounting screws: plated steel
- RoHS compliant

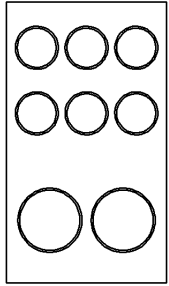
A Regal Brand

REGAL

Termination Specifications

Line Side	Wire Size (CU Stranded)	Torque	Wires / Terminal	Wire Class (UL) ¹
	3/0	20.3 N·m (180 lbf·in)	1	B, C
	2/0 - 2	20.3 N·m (180 lbf·in)	1	B, C, G, H, I
	4 - 8	20.3 N·m (180 lbf·in)	1 - 2	B, C, G, H, I
	10 - 14	5.6 N·m (50 lbf·in)	1 - 2	B, C, I

- Aluminum stranded wire range: 3/0 - 6 AWG
- Copper solid wire range: 10 - 14 AWG
- Wire strip length: 1-1/16 in. (27mm)
- IP-20 protection:
 - With break-away tab #3-14 AWG
 - Without break-away tab 3/0-#2 AWG
- Terminal screw drive: 6 mm. hex

Load Side	Terminal	Wire Size (CU Stranded)	Torque	Wires / Terminal	Wire Class (UL) ¹
	#2-14 (Two Large)	2	5.7 N·m (50 lbf·in)	1	B, C
		4 - 6	5.7 N·m (50 lbf·in)	1	B, C, G, H, I
		8	5.7 N·m (50 lbf·in)	1 - 2	B, C, G, H, I
		10	4.5 N·m (40 lbf·in)	1 - 2	B, C, I
		12 - 14	4.5 N·m (40 lbf·in)	1 - 4	B, C, I
	#6-14 (Six Small)	6	1.7 N·m (15 lbf·in)	1	B, C
		8	1.7 N·m (15 lbf·in)	1	B, C, G, H, I
		10	1.7 N·m (15 lbf·in)	1	B, C, I
		12-14	1.7 N·m (15 lbf·in)	1-2	B, C, I

- Aluminum stranded wire range: 2 - 6 AWG
- Copper solid wire range: 10 - 14 AWG
- Wire strip length:
 - Top 1/2 in. (12.7mm)
 - Middle 1-3/16 in. (20.6mm)
 - Bottom 5/8 in. (15.9mm)
- IP-20 protection: 2 - 14
- Terminal screw drive:
 - 4 mm hex drive (two large)
 - 2.5 mm hex drive (six small)

Short Circuit Current Ratings (SCCR)

- The suitable conductor ranges are limited to the table values only for achieving the SCCR in excess of the default rating of 10,000A.
- Other conductor combinations within the "Terminal Specifications" noted are suitable for achieving a SCCR of 10,000A (the default rating of terminal blocks).
- Enclosure size – Investigated with a minimum 16X12X6 enclosure. Use in smaller enclosures is subject to end use evaluation.

SCCR With Fuses

Wire Class	Suitable Conductors		Max Overcurrent Protection Fuse Required Amp Rating / Class						SCCR RMS Sym. Amps 600V. Max	
	Line	Load - L/S*	J	T	RK1	RK5	G	CC		
B, C	3/0-8	2-8	L	200	200	100	60	60	30	100,000
		6-8	S							
	3/0-8	2-12	L	125	125	100	30	60	30	
		6-12	S							
G, H, I	2/0-8	4-8	L	200	200	100	60	60	30	100,000
		8	S							
	2/0-8	4-12	L	125	125	100	30	60	30	
		8-12	S							
(**)	3/0 - 14	2 - 14	-	None						10,000

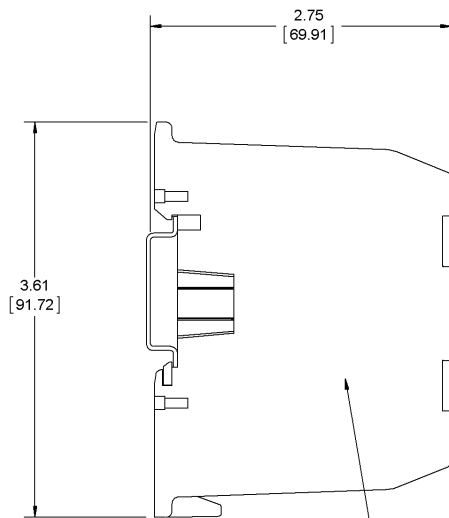
* Refers to either the larger (L) or smaller (S) of the two load side terminals.

** Any wire class evaluated (see terminal specification section)

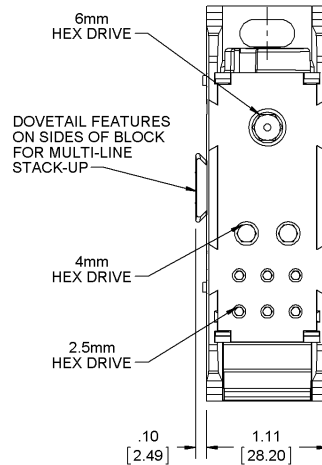
Installation & Accessories

- Din-Rail mountable on (any) 35mm wide rail: MN35-2 (35 X 7.5mm, 2m long)
- End Brackets: MSK35
- Terminal Allen wrench sizes:
 - Line side - 6mm
 - Load side (#2-14) - 4mm
 - Load side (#6-14) - 2.5 mm

Drawing



PRODUCT INFORMATION, INCLUDING
SCCR RATINGS, ENGLISH & METRIC
WIRE RANGES, APPROVED WIRE CLASSES
AND APPROPRIATE TORQUE VALUES
PROVIDED ON SIDES OF BLOCK.



STACK-UP DIMENSIONS
(IF DOVETAIL IS USED FOR MULTI-LINE)

